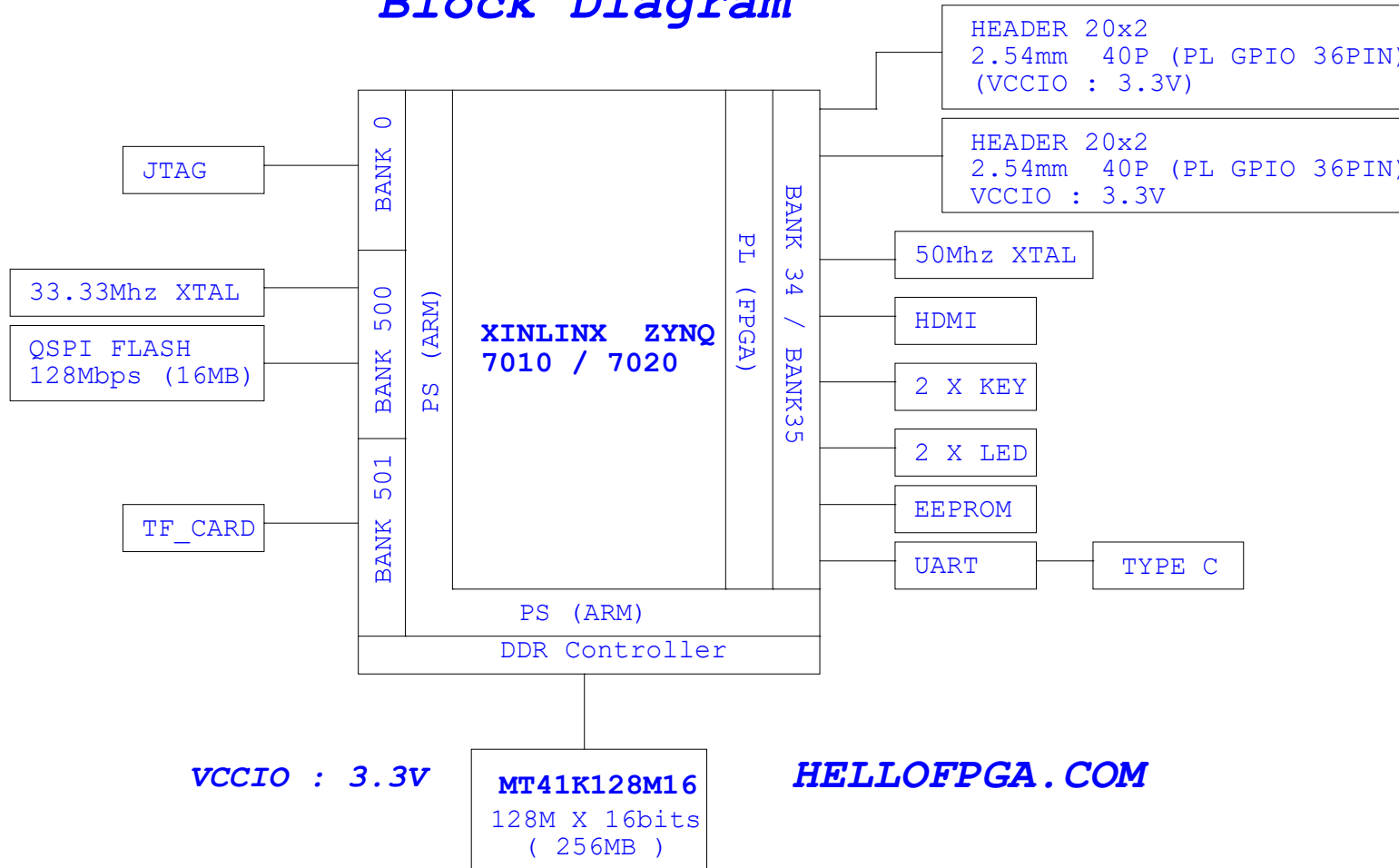
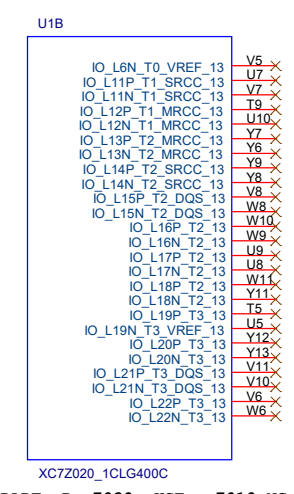
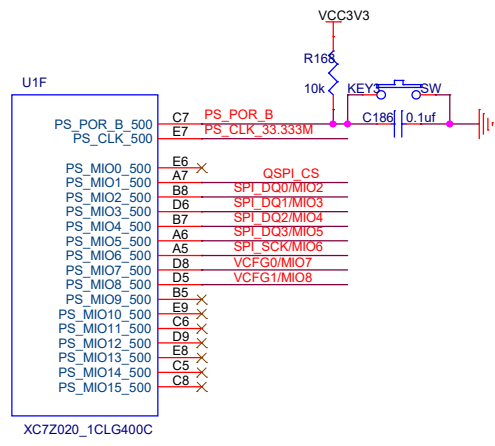
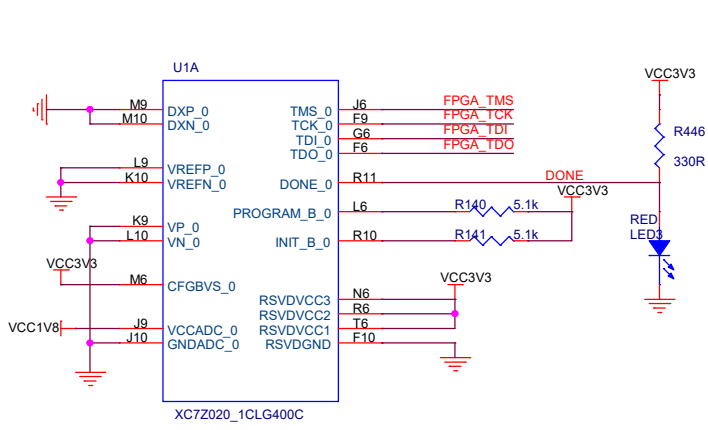


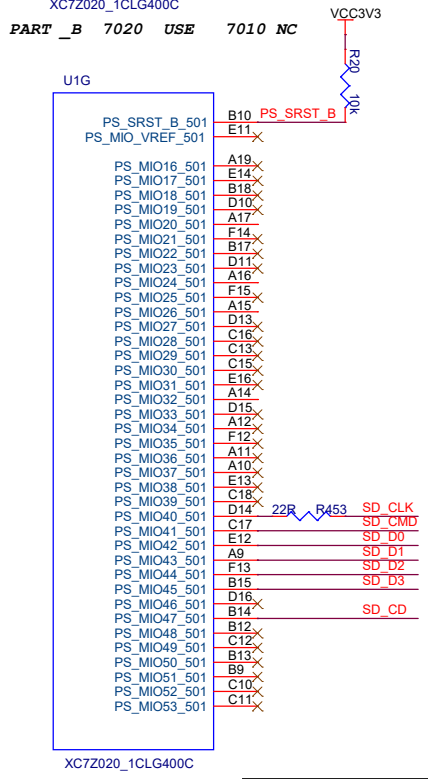
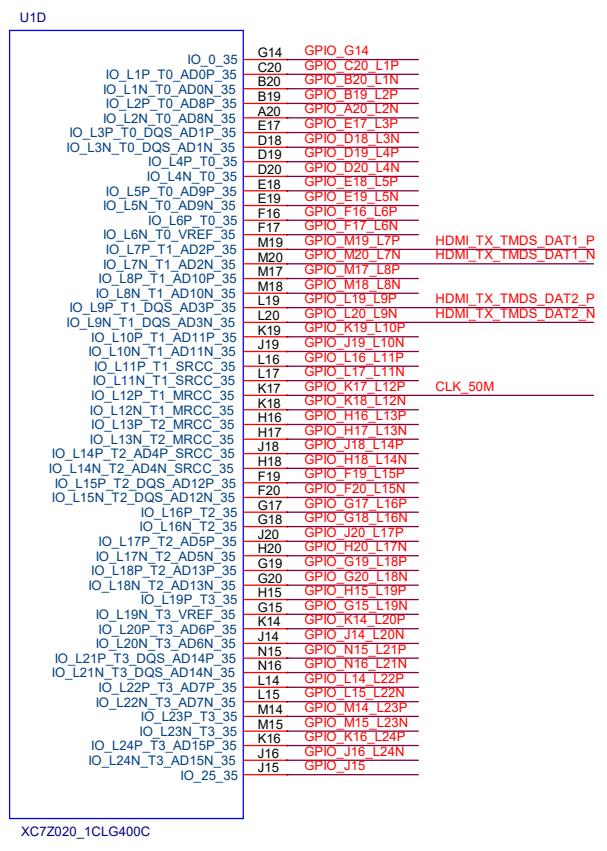
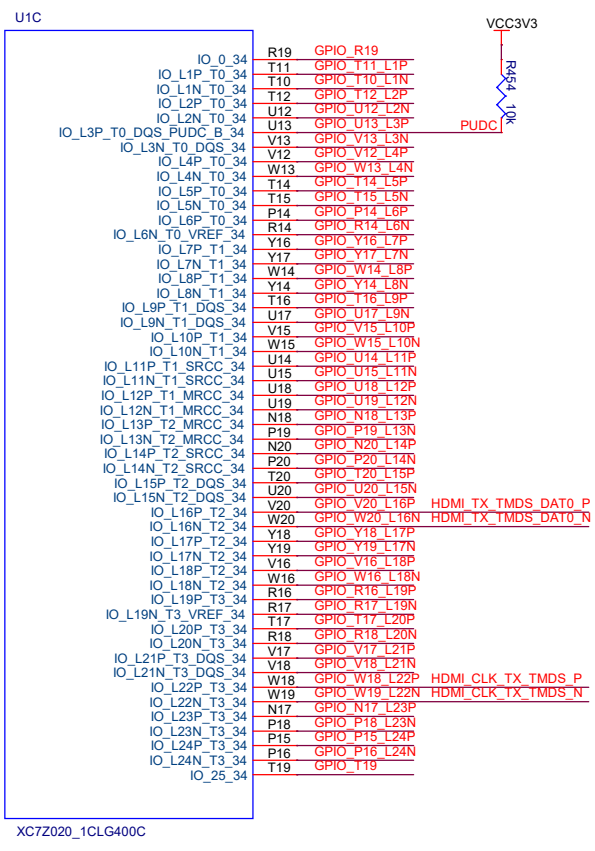
Tiny ZYNQ v1.2 Block Diagram



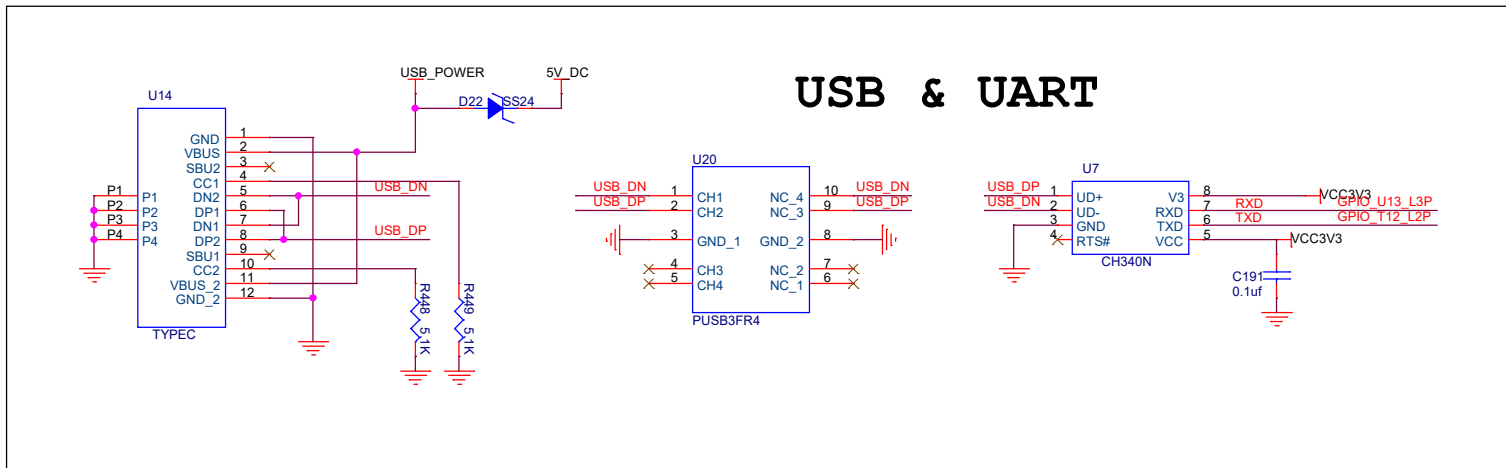
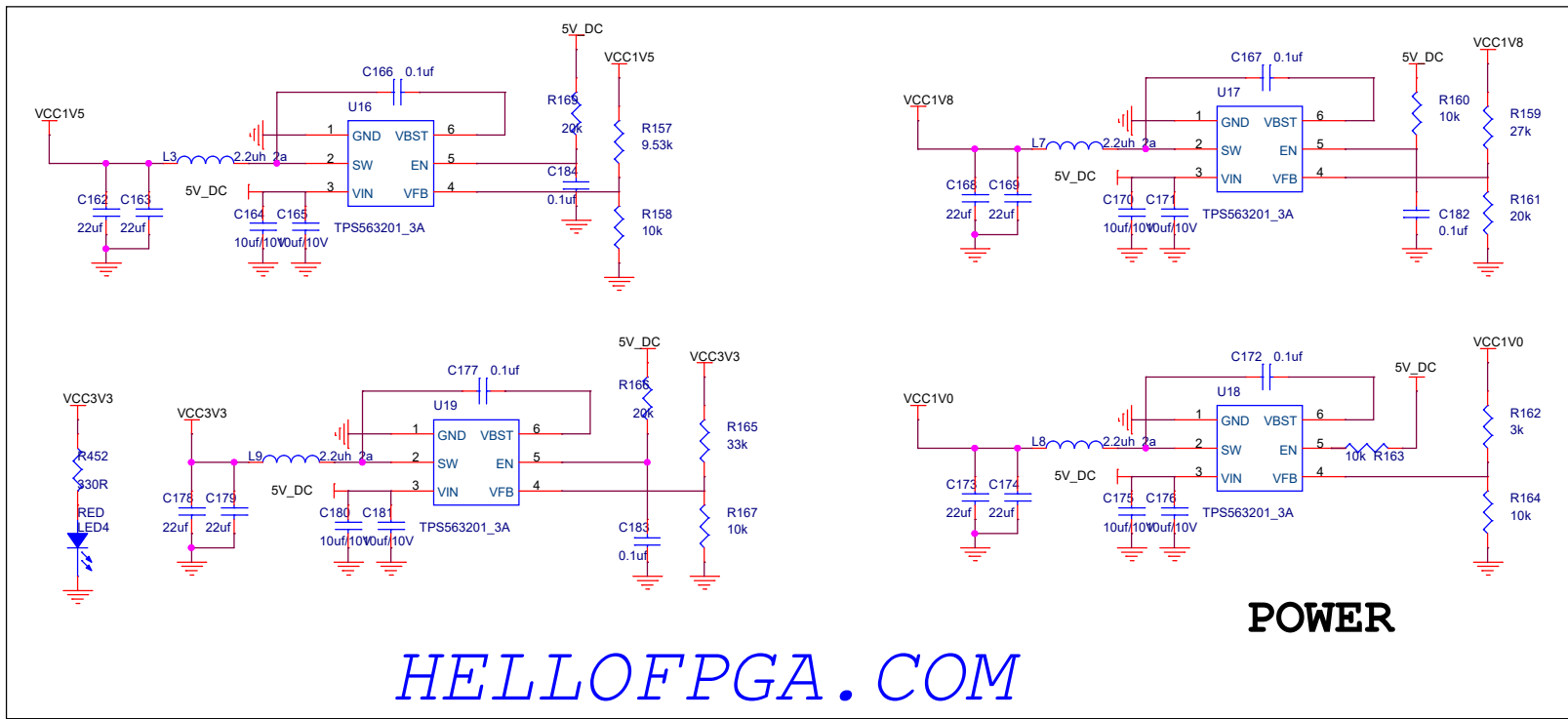
HELLOFPGA.COM



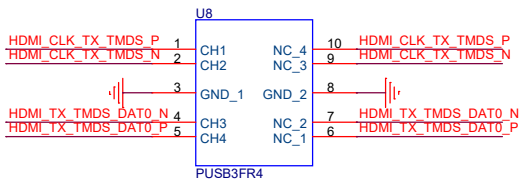
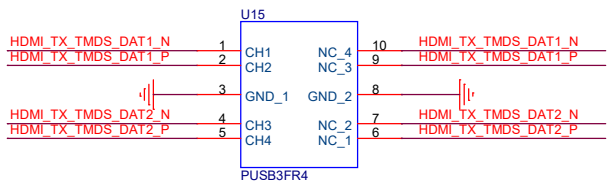
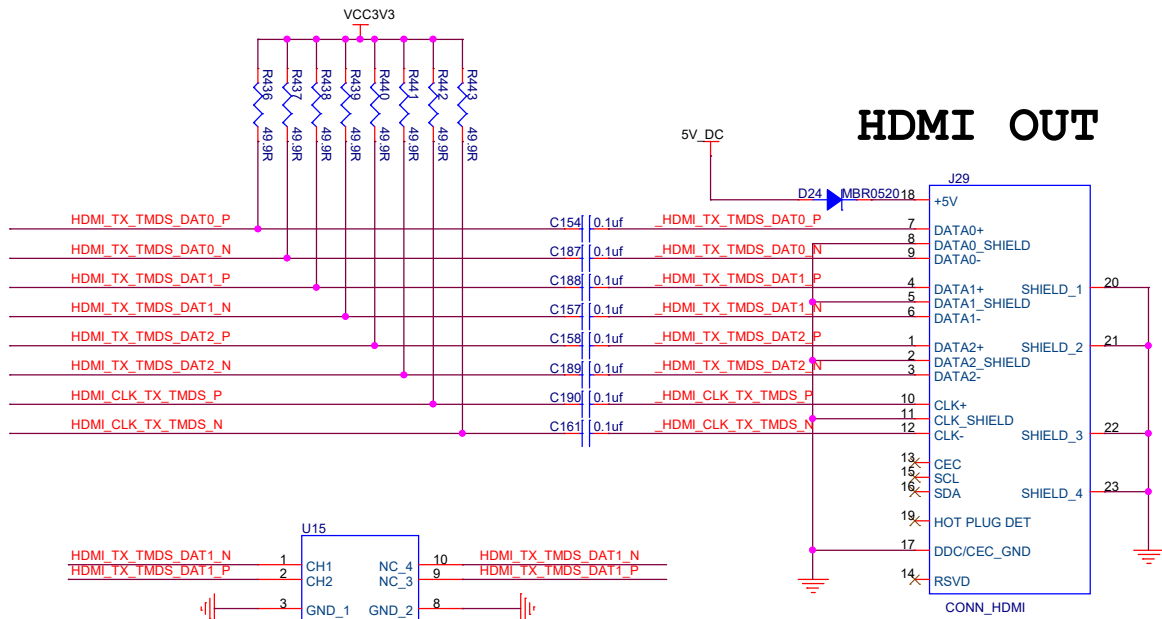
HELLOFPGA.COM



Title		WWW.HELLOFPGA.COM	
Size	Document Number	Rev	
B	<Doc>	<RevCode>	
Date:	Saturday, February 18, 2023	Sheet	1 of 1



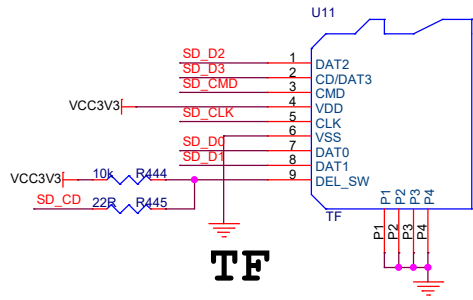
Title		
WWW.HELLOFPGA.COM		
Size	Document Number	Rev
B	<Doc>	<RevCode>
Date:	Saturday, February 18, 2023	Sheet 1 of 1



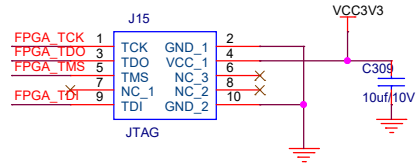
HDMI ESD

HELLOFPGA.COM

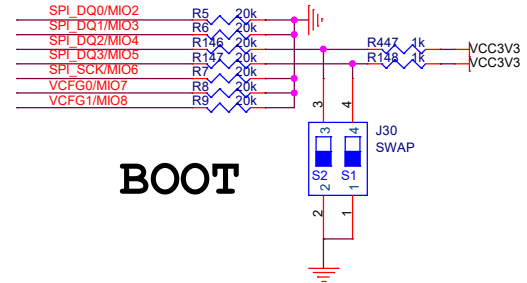
Title		
www.HELLOFPGA.COM		
Size	Document Number	Rev
B	<Doc>	<RevCode>
Date:	Saturday, February 18, 2023	Sheet 1 of 1



TF

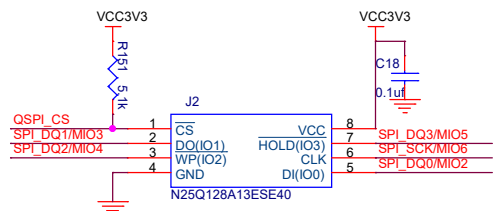


JTAG

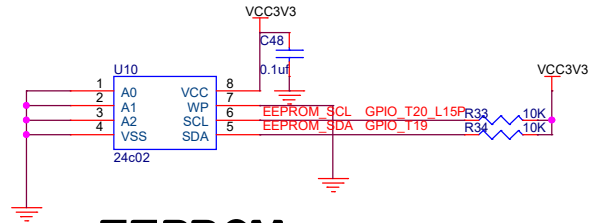


BOOT

HELLOFPGA.COM



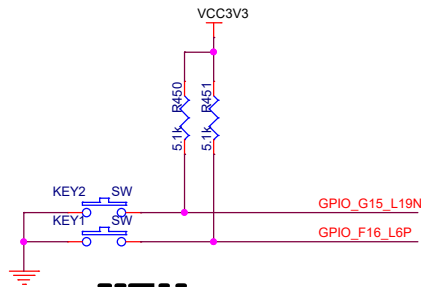
QSPI FLASH



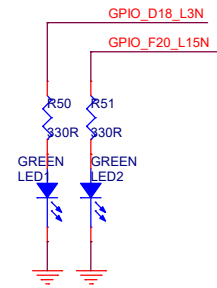
EEPROM

BOOT

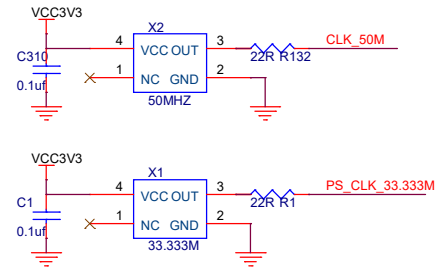
BOOT	S1	S2
JTAG	●	●
QSPI	○	●
SD	○	○



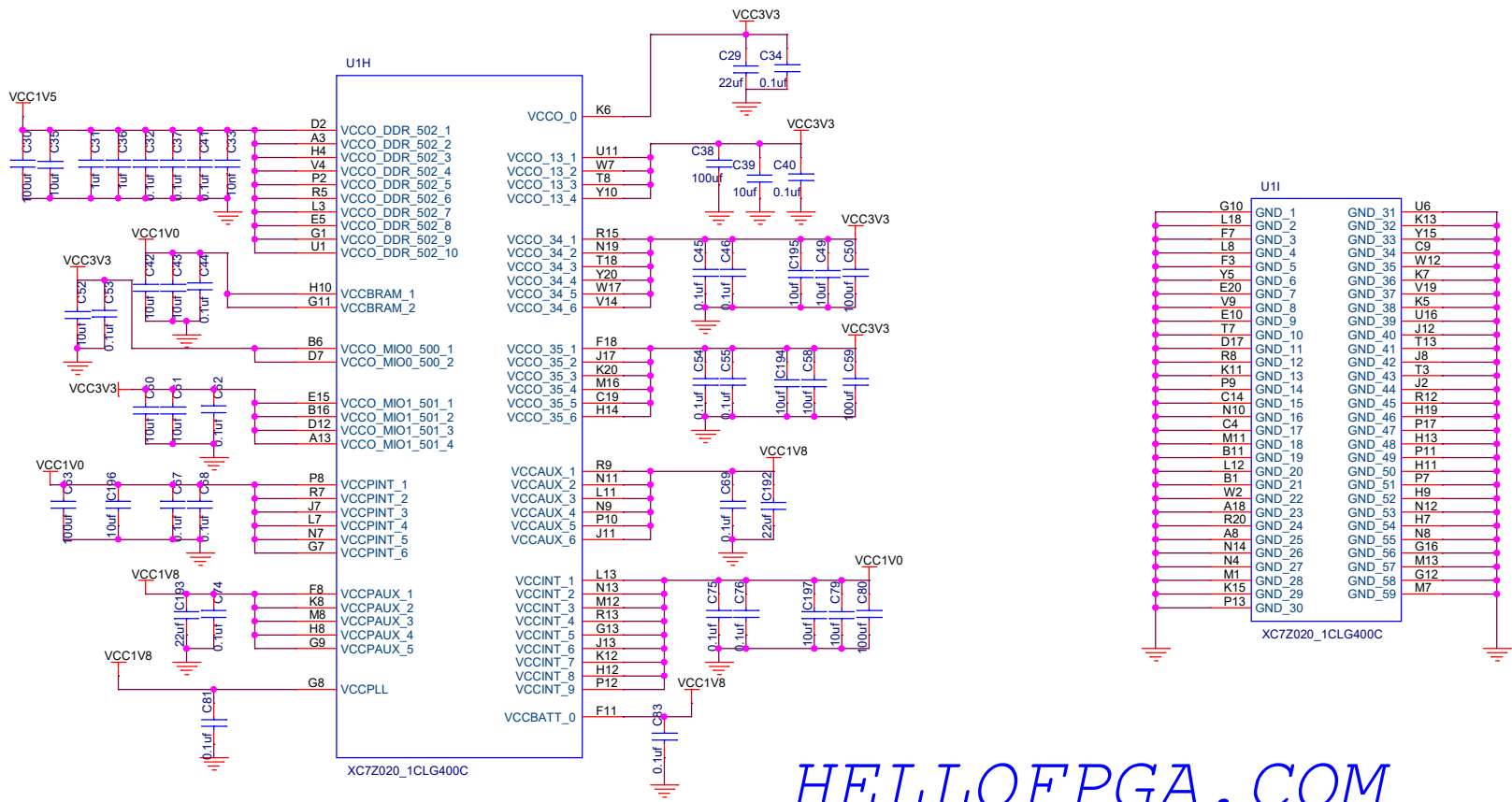
KEY



LED

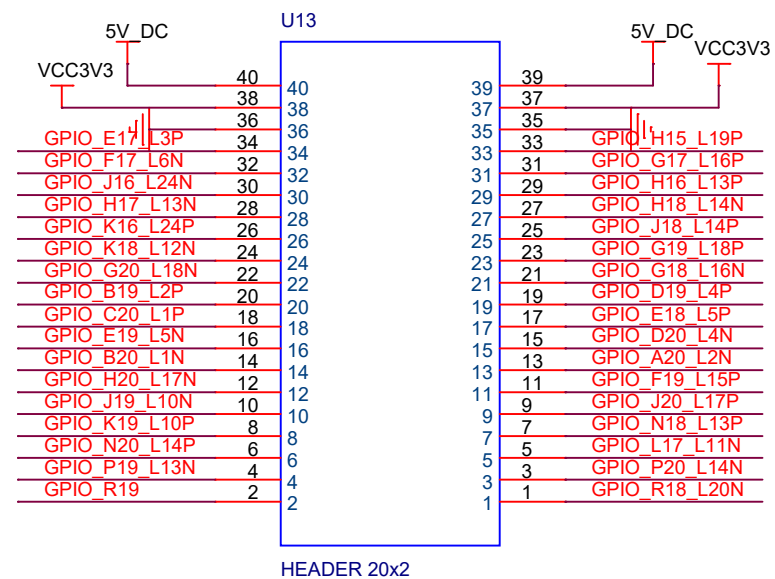
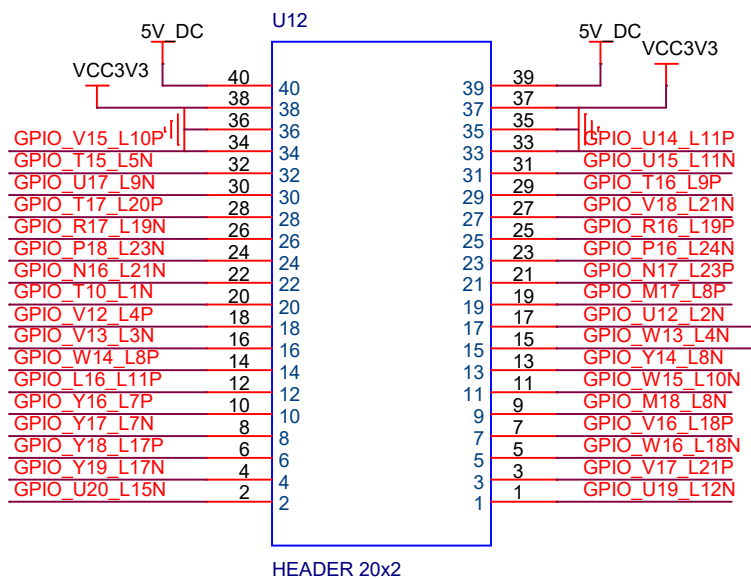


CLOCK



HELLOFPGA.COM

Title		
www.HELLOFPGA.COM		
Size	Document Number	Rev
B	<Doc>	<RevCode>
Date:	Saturday, February 18, 2023	Sheet 1 of 1



Title		
WWW.HELLOFPGA.COM		
Size	Document Number	Rev
A	<Doc>	<RevCode>
Date:	Saturday, February 18, 2023	Sheet 1 of 3